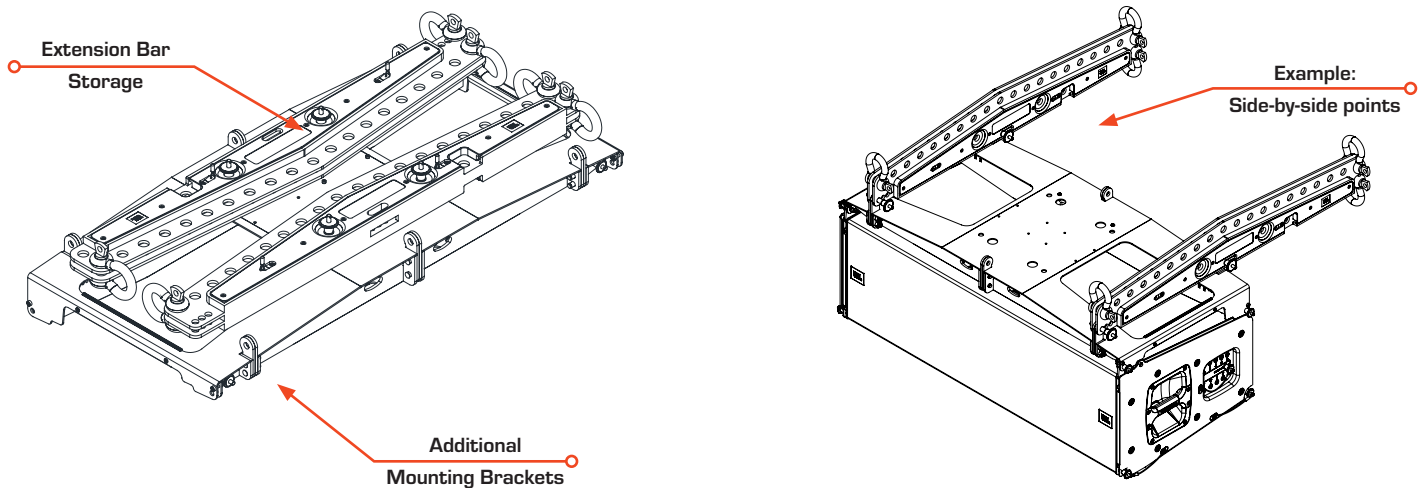


HIGHLIGHTS

- Extension Bar for use with VTX A12 AF
- Single, front-to-back or side-by-side pick point options
- 0.5-degree pick point resolution
- Includes 3 x shackles and mounting brackets
- Lightweight design
- Compatible shackle size: 5/8"

DESCRIPTION

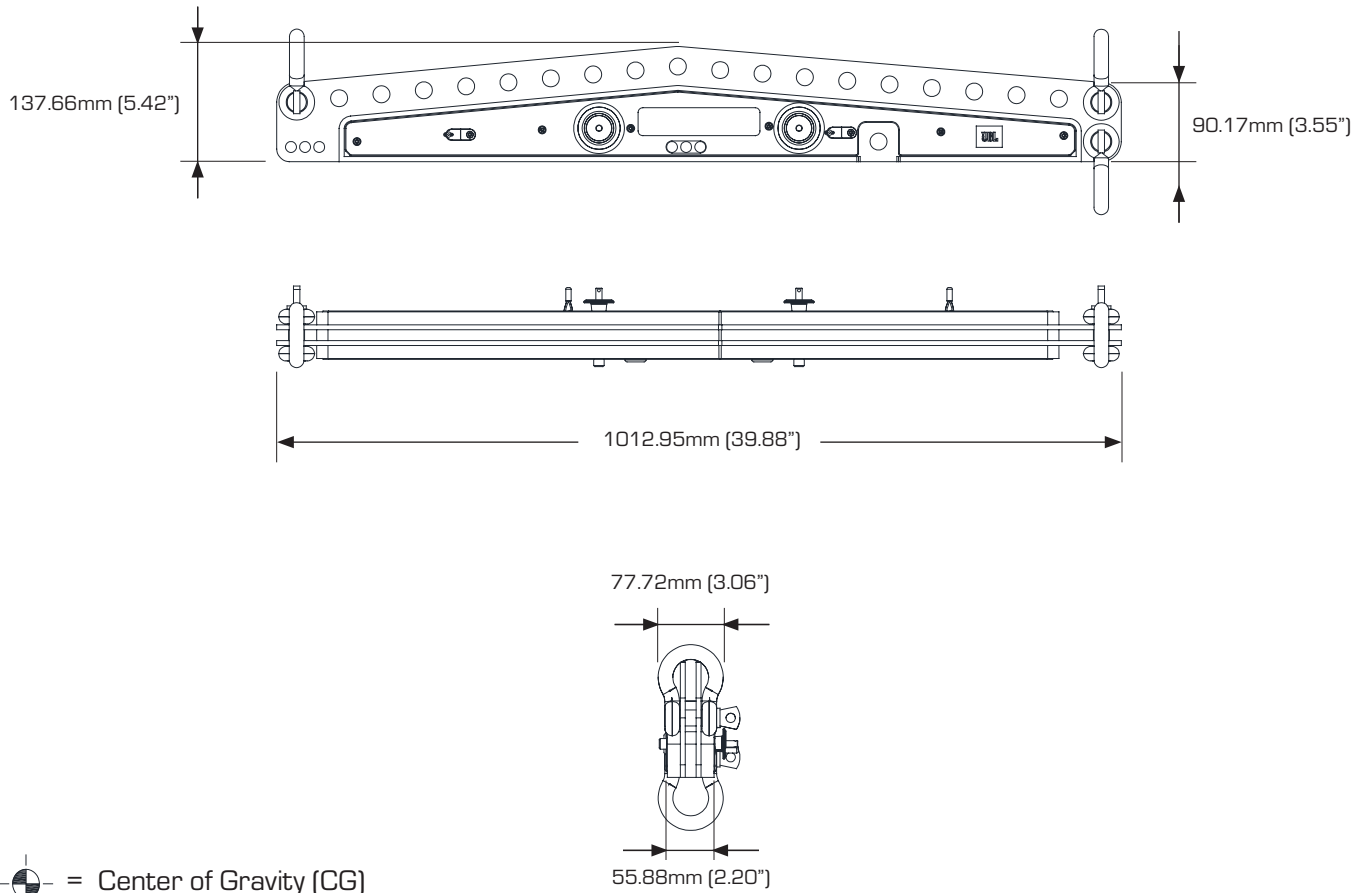
The **VTX A12 AF EB** Extension Bar was designed to operate in conjunction with the **VTX A12 AF** Array Frame to facilitate either single-point, front-to-back or side-by-side suspension modes. The extension bar is compatible with 5/8" shackles and can be stored above the main frame during transportation. The extension bar can extend to the front or the rear of the frame to accommodate both up-tilt and down-tilt aiming options. Three connection points are available for attaching the Extension Bar to the main frame, allowing for precise control of shackle positioning for single-point applications. One **VTX A12 AF EB** Extension Bar is included with the Array Frame and additional Extension Bars can be purchased to facilitate side-by-side suspension.



INCLUDED

- 1 x VTX A12 AF EB
- 3 x 5/8" CM Shackles
- 4 x Extension Bar Attachment Brackets
- 1 x Set of Screws for Bracket Installation

DIMENSIONS



TECHNICAL SPECIFICATIONS

Construction: High-grade steel with anti-corrosion coating
 Plastic covers

Finish: Black Powder Coat

Compatible Shackle Size: 5/8"

Mechanical Limits¹

Maximum : 24 x VTX A12

Safe Limit : 12 x VTX A12

Dimensions (H x W x D)²: 137.66mm x 1012.95 mm x 55.88 mm
 (6.42 in x 39.88 in x 3.06 in)

Net Weight³: 13.6 kg (30 lbs)

Footnotes:

1: For arrays larger than the safe limit always use the JBL Line Array Calculator to determine mechanical safety

2: Refer to the 2D and 3D Customer Drawings for more detailed dimensions

3: Array Frame, shackles and other rigging parts not included

JBL continually engages in research related to product improvement. Some materials, production methods and design refinements are introduced into existing products without notice as a routine expression of that philosophy. For this reason, any current JBL product may differ in some respect from its published description, but will always equal or exceed the original design specifications unless otherwise stated.