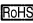
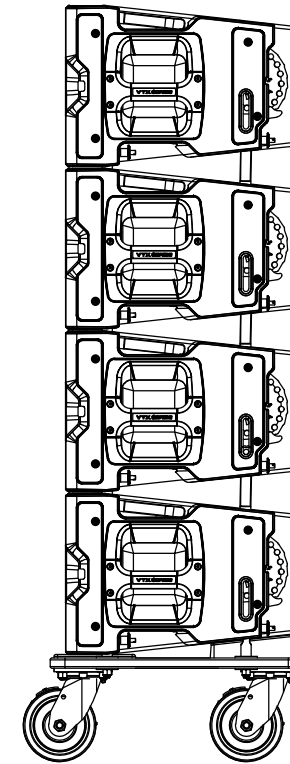
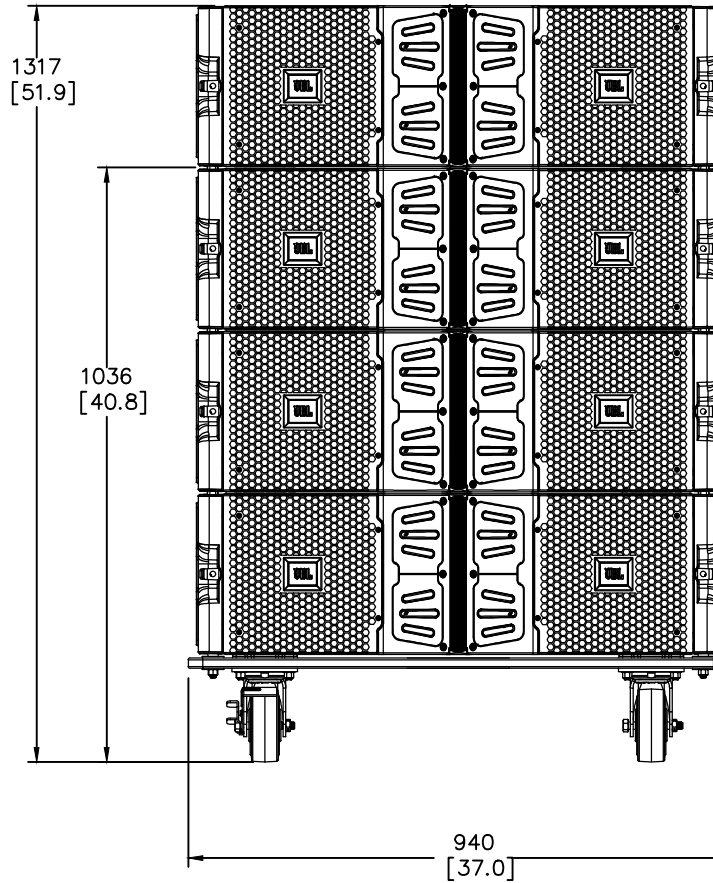
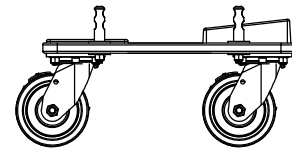
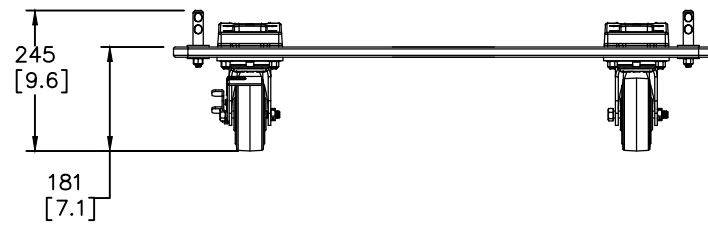
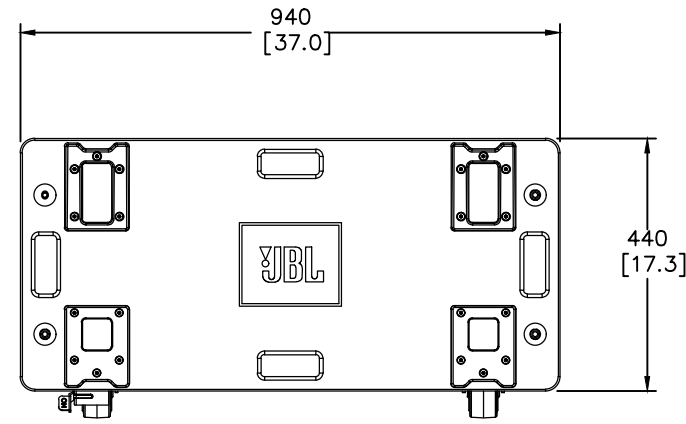


THESE DRAWINGS AND SPECIFICATIONS ARE THE PROPERTY OF JBL INCORPORATED. THEY ARE ISSUED IN STRICT CONFIDENCE AND SHALL NOT BE REPRODUCED OR USED AS THE BASIS FOR MANUFACTURE OR APPARATUS WITHOUT WRITTEN PERMISSION.

ALL MATERIAL SPECIFIED ON THIS DRAWING SHALL COMPLY WITH EUROPEAN DIRECTIVE 2002/95/EC. 


REVISIONS				
REV	DESCRIPTION	ZONE	DATE	BY
A	RELEASE TO MARKETING		4/23/14	TH



7. FOR VTX-V20-VT 3 OR 4 SYSTEMS VTX-V20 ARE RECOMMENDED.
6. AVERAGE DIMENSIONS SHOWN FOR STACKED SYSTEMS.
5. SOFTCOVER (VTX-V20-CVR) IS NOT INCLUDED.
4. WEIGHT: 16 Kg (35 LBS).
3. DIMENSIONS ARE mm [INCHES].
2. FINISH: BLACK MATTE PAINT.

1. MATERIAL: BOARD: EXTERIOR GRADE BIRCH PLYWOOD  
HARDWARE: COMBINATION OF STAINLESS STEEL AND ZINC PLATED STEEL PARTS.

NOTES: (UNLESS OTHERWISE SPECIFIED)

		JBL PROFESSIONAL A Harman International Company Northridge, California 91329 U.S.A.	
TITLE CUSTOMER DRAWING: VTX-V20-VT			
SIZE A	DRAWING NO. 1000137579	REV A	
SCALE 1:1	SHEET 1 OF 1		