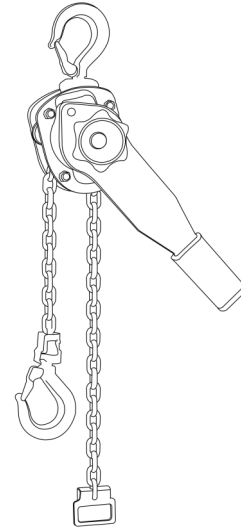


VTX-V20-LH | Level Hoist

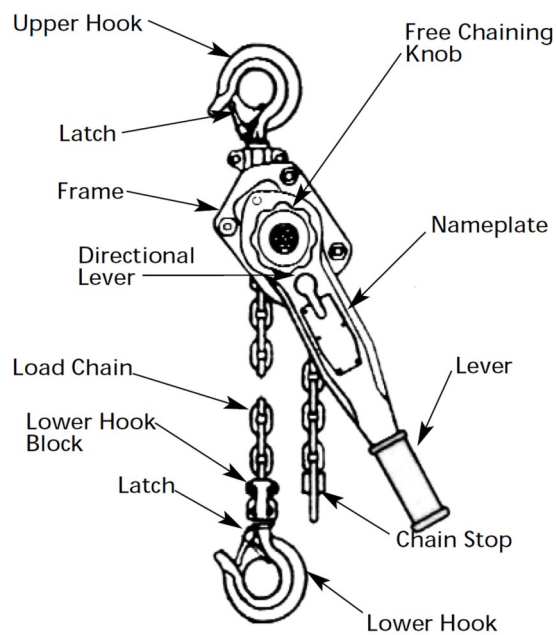
Features:

- CM Series 653
- 3/4 ton model
- 20' of Chain length
- Support for up to 20 x V20 Cabinets



Description:

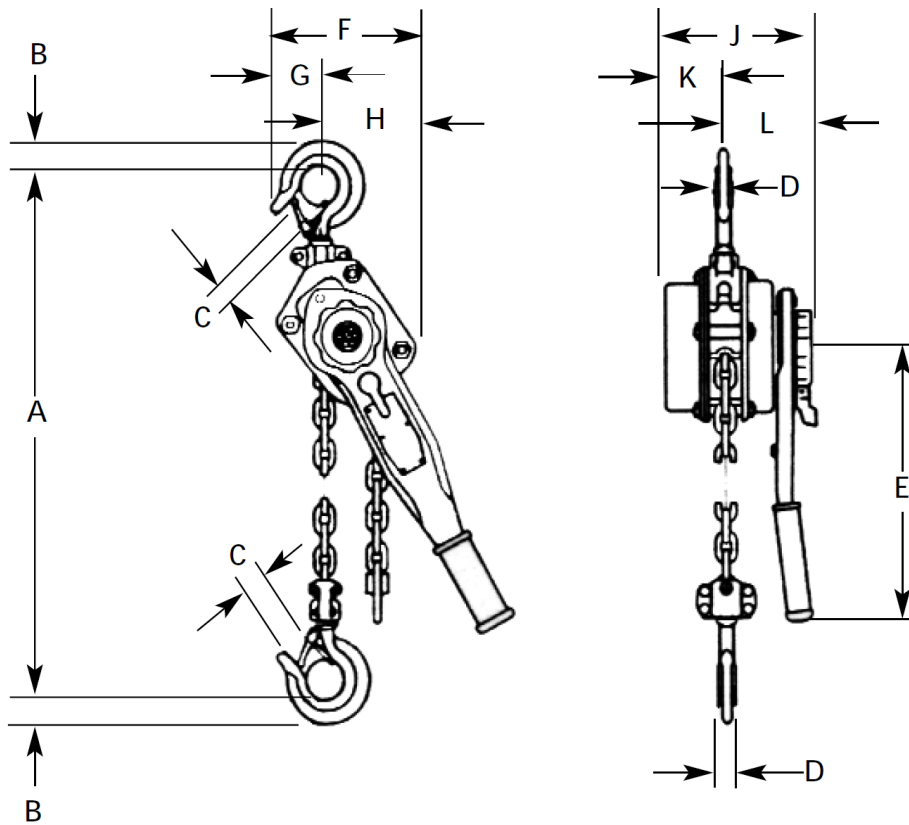
Factory-approved manual lever hoist for compression of VTX V20 systems. The CM Series 653 for use with VTX V20 is a 3/4 ton model with 20' of chain length for compressing arrays of up to 20 cabinets with no additional extension hardware needed.



Included:

- 1 x CM Lever Hoist (3/4 ton rating) with 20' of chain

Dimensions:



Model No.	Load Rating (Tons.)	Lift or Reach (Ft.)	Lever pull To Lift Rated Load (Lbs.)	Net Weight (Lbs.)	Dimensions (in.)											
					A	B	C	D	E	F	G	H	J	K	L	
5310		5		15.0												
5311		10		15.8	$12\frac{5}{8}$	$15\frac{1}{16}$	$1\frac{1}{8}$	$11\frac{1}{16}$	11	$4\frac{3}{8}$	$2\frac{3}{16}$	$2\frac{3}{16}$	$5\frac{15}{16}$	$2\frac{3}{8}$	$3\frac{9}{16}$	
5312	3/4	15	33	16.6												
5313		20		17.3												

Specifications:

Material	Steel
Weight	7.7 Kg (17.3 lbs)
Finish	Powdercoat