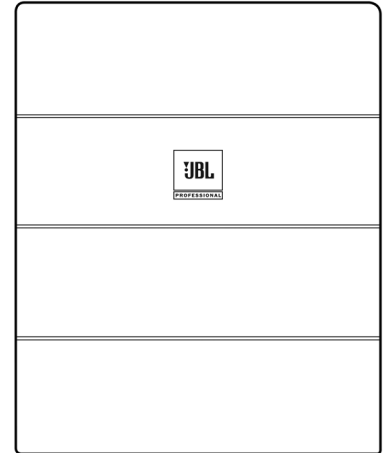


## VTX-V20-VT-CVR | Cover

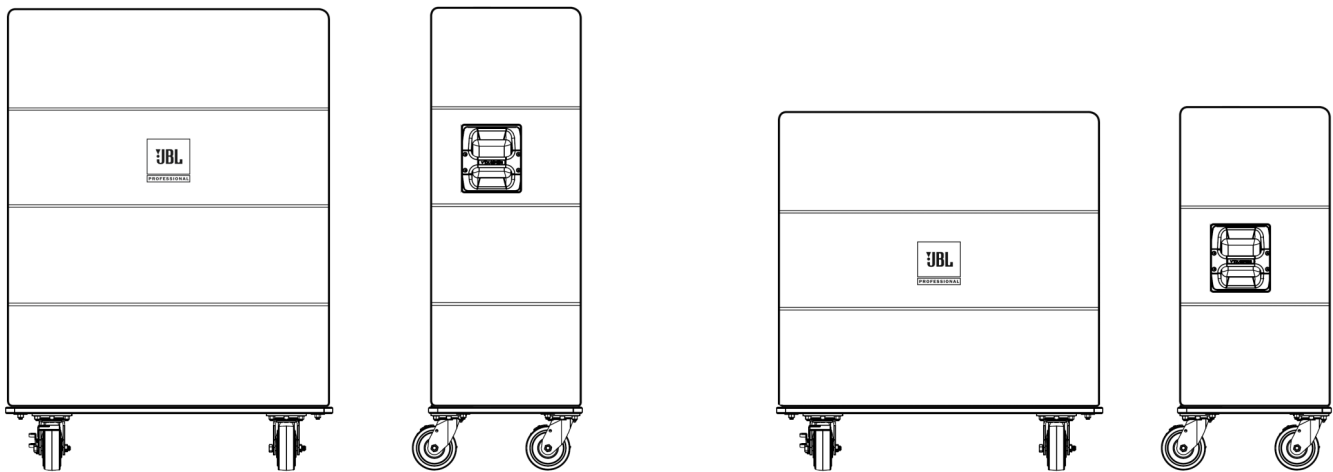
### Features:

- Handle cutouts, heavy-duty zippers
- Modular design, can be used with 3x or 4x VTX V20 enclosures
- Rear panel access flaps for input connectors
- Speaker cabinets can be tested without fully removing the cover



### Description:

Reinforced, padded protective cover for 3x or 4x VTX V20 enclosures when transported vertically.



### Included:

- 1 x VTX-V20-VT-CVR