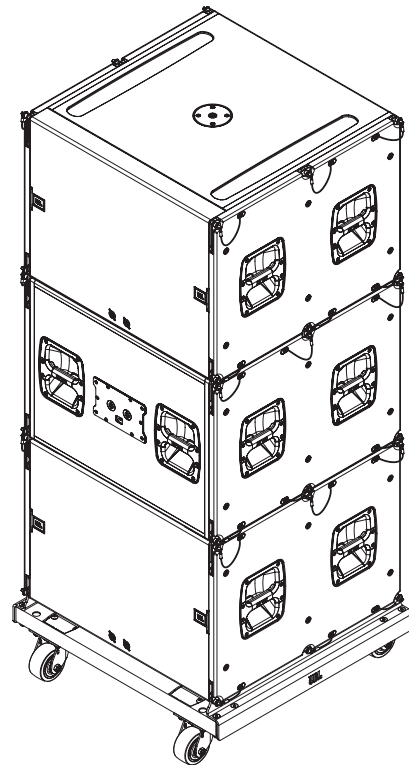
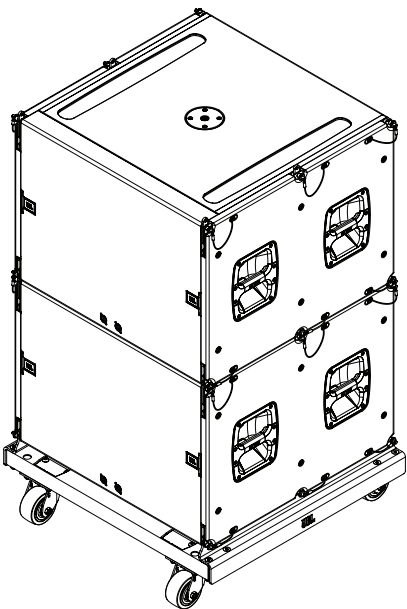


HIGHLIGHTS

- Vertical transport cart for 4 x VTX B18 enclosures
- Truck-friendly dimensions
- Built-in stacking features for easy storage
- Lightweight design
- Heavy-duty casters

DESCRIPTION

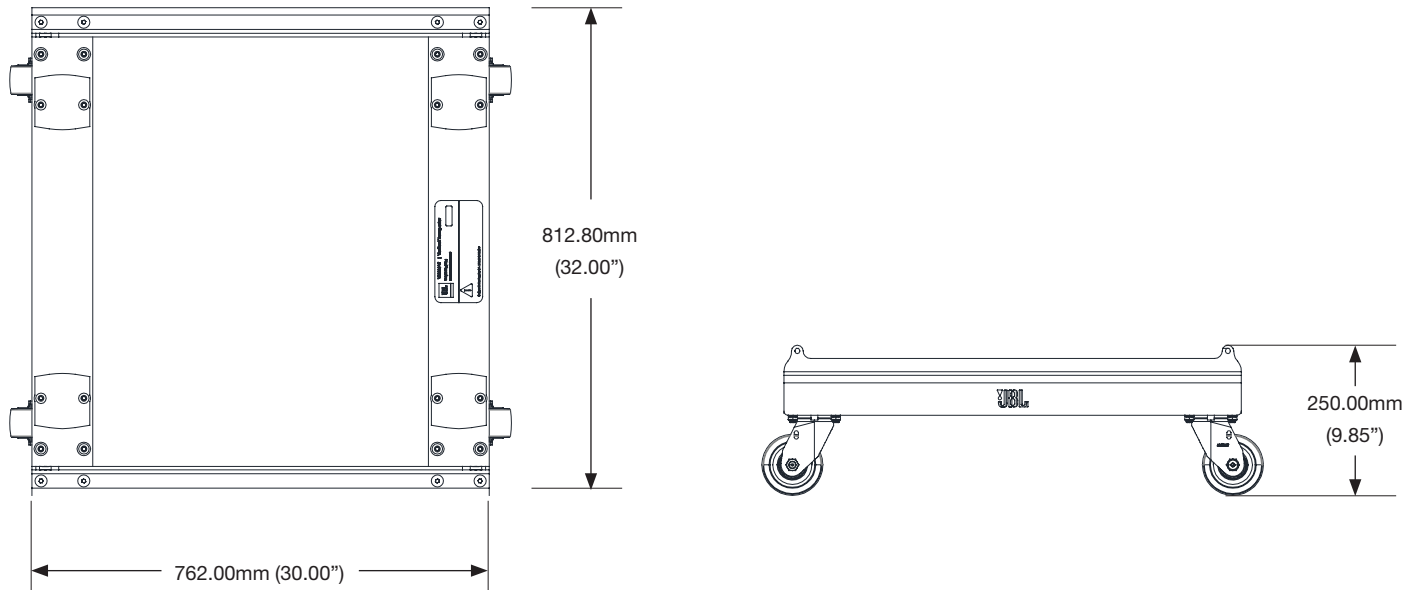
The VTX B18 VT vertical transporter is a robust, lightweight cart solution for vertically transporting up to 4 x VTX B18 enclosures. The VTX B18 VT is constructed out of aluminum and steel parts and measures 32" (813mm) wide and 30" (762mm) deep. When transported in blocks of 2, 3 or 4, B18 cabinets can be configured in either front-firing or cardioid mode. The VTX B18 VT CVR, a reinforced protective cover, is available and supplied separately. Front-face dolly and cover is available for individual B18 transportation (VTX B18 ACC). For more information about the Vertical Transporter and use cases, refer to the VTX B18 Rigging Manual.



INCLUDED

- 1 x VTX B18 VT Vertical Transporter Cart

DIMENSIONS



TECHNICAL SPECIFICATIONS

Construction: High-grade steel with anti-corrosion coating

Finish: Black Powder Coat

Mechanical Limits

Maximum: 4 x VTX B18

Dimensions (H x W x D)¹: 250.00 mm x 812.80 mm x 762.00 mm
(9.85 in x 32.00 in x 30.00 in)

Net Weight²: 22 kg (49 lbs)

Footnotes:

- 1: Refer to the 2D and 3D Customer Drawings for more detailed dimensions
- 2: Shackles and other rigging parts not included

JBL continually engages in research related to product improvement. Some materials, production methods and design refinements are introduced into existing products without notice as a routine expression of that philosophy. For this reason, any current JBL product may differ in some respect from its published description, but will always equal or exceed the original design specifications unless otherwise stated.