



Ki 08

8 Inch Full Range Loudspeaker System

Professional Series

Key Features:

- ▶ Specially designed 8" woofer provides greater power handling and is fitted with demodulating aluminum ring for lower distortion and power compression
- ▶ Two 3" cone tweeters provides excellent high-frequency response and superb vocal reproduction
- ▶ Uniquely engineered acoustic lens can optimize high frequency directivity of the loudspeaker
- ▶ Precisely designed crossover optimizes the frequency response and overall fidelity
- ▶ Durable MDF (medium density fiberboard) enclosure with an attractive vinyl wrap finish
- ▶ Built-in protection circuit engineered specifically to protect the tweeter without interrupting performance



Applications:

- ▶ For Karaoke sound reinforcement

The Ki 08 is a 2-way full-range speaker designed specifically for KTV market needs. The Ki 08 utilizes an 8" woofer and two 3" cone tweeters.

The 8" woofer features a non-pressed long fiber pulp cone with foam surround providing necessary stiffness and high reliability. The aluminum demodulating cooling ring reduces distortion and power compression. Specially designed V-shaped enclosure and acoustic lens optimizes the high frequency directivity and improves performance in applications requiring high-output to meet KTV market needs. Its modern, iron grey enclosure with black grille enhances any decor.

The Ki08 is designed to handle 150W contentiously, 300W program. The enclosure is constructed of MDF with vinyl laminated finish and fitted with nickel-plated binding post for reliable connectivity. Two high-strength M10 attachment points guarantee the stability of suspension. The integrated grille with elaborate design adds a distinctive element to the overall elegant appearance of the loudspeaker in addition to protecting the components of loudspeaker from damage.

Specifications:

System:

System Type:	8", 2-way, bass-reflex
Frequency Range (-10 dB) ¹ :	53 Hz - 17 KHz
Frequency Response (±3 dB) ¹ :	70 Hz - 14 KHz
System Sensitivity (1w @ 1m) ¹ :	88 dB
Nominal Impedance:	8 ohms
Maximum SPL ² :	110 dB (116 dB peak)
Power Rating ³ : (Continuous/Program/Peak)	150W/300W/600W
Coverage Pattern:	110° x 100° (H x V)

Physical:

Dimensions (H x W x D):	245 mm x 435 mm x 285 mm (9.6 in x 17.1 in x 11.2 in)
Net Weight:	8.8 kg (19.4 lbs)
LF Driver:	1 x 8" Woofer
HF Driver:	2 x 3" Tweeter
Input Connectors:	Binding post
Enclosure:	Vinyl covered 12 mm MDF

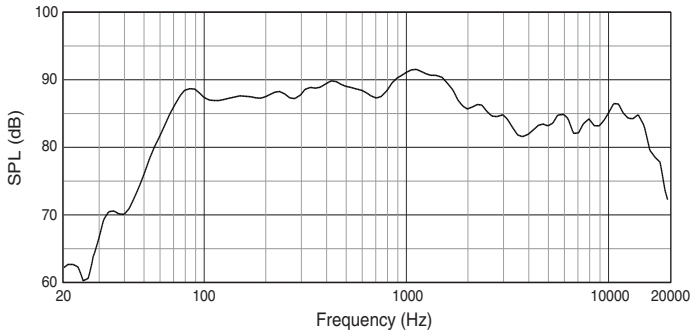
¹ Full space (4π) conditions.

² Calculated maximum SPL based on rated power handling.

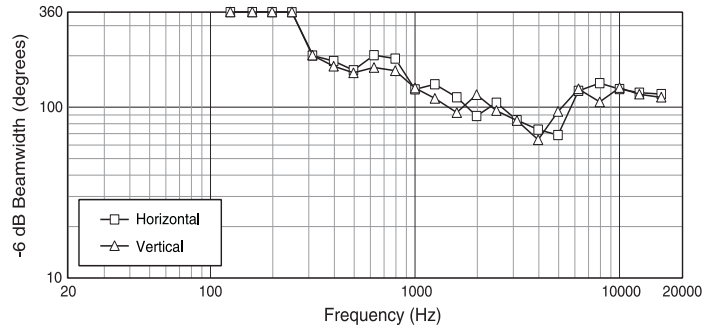
³ IEC standard, pink noise with 6 dB crest factor for 100 hours.

► Ki 08 8 Inch Full Range Loudspeaker System

Frequency Response:

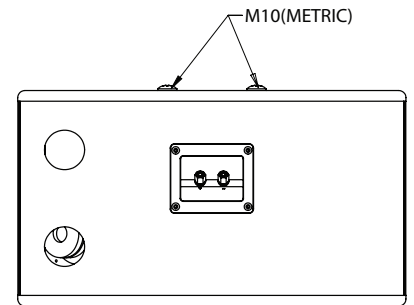
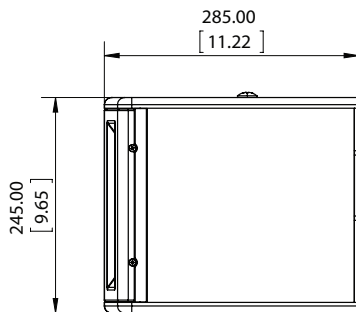
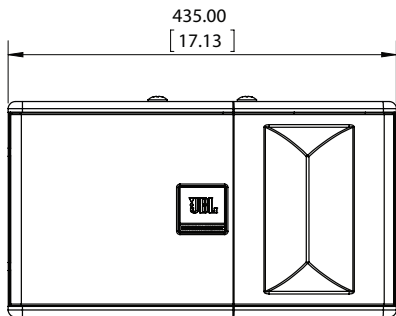
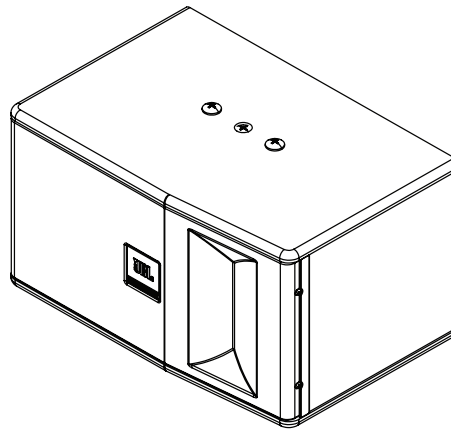
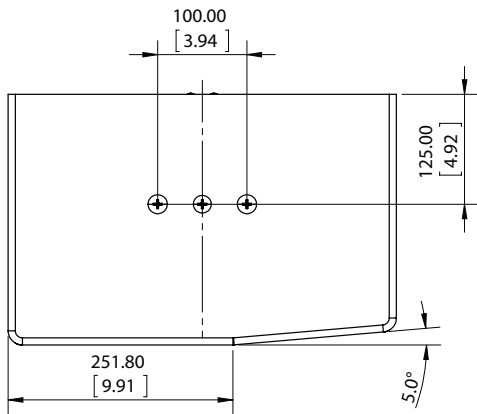


Beamwidth:



Dimensions:

Dimensions in mm (inch)



PROFESSIONAL
by HARMAN

JBL Professional
8500 Balboa Boulevard, P.O. Box 2200
Northridge, California 91329 U.S.A.

© Copyright 2015 JBL Professional
www.jblpro.com

SSKi 08
SZ
09/15