

9320

Large Format High Power Cinema Surround Loudspeaker



Key Features:

- Large PT™ (Progressive Transition) high frequency waveguide for superior coverage control and smooth frequency response
- 120° x 60° coverage
- 98 dB sensitivity
- 2408H-1 high frequency compression driver
- MB12-8, 12" low frequency driver
- Rotatable waveguide for vertical or horizontal orientation
- Multiple mounting point options with M-10 threaded attachment points on the top, sides and rear
- Input terminals on top of cabinet for easy access



Description:

The 9320 Cinema Surround Speaker offers high power handling with extended bass response for large-format cinemas and multi-channel surround formats where wide dynamic range is required. The 9320 is a powerful, 2-way, full-range surround comprised of an MB12-8, 300 mm (12") low frequency driver and a 2408H-1, 38 mm (1.5") voice coil compression driver. The large format Progressive Transition waveguide provides exceptional 120° x 60° coverage. The waveguide is rotatable so the speaker can be used in the vertical or horizontal position.

The enclosure is constructed of multi-ply birch coated with JBL's rugged DuraFlex™ finish and is heavily braced to maximize low frequency performance. The enclosure is fitted with M-10 threaded points on the top and on the sides to facilitate U-bracket mounting. There are four M-10 threaded points on the rear, positioned in a standard pattern, to accept a variety of multi-mount brackets.

The 9320 Surround utilizes a steel grill to give a very professional appearance and to provide driver protection.

Specifications:

System	
Frequency Range (-10 dB)	35 Hz-20 kHz (2pi)
Frequency Response (±3 dB)	50 Hz-19 kHz (2pi)
Power Handling (100-Hour AES Power Rating)	200 W (40 Vrms), pink/IEC
Power Handling (2-Hour AES Power Rating)	400 W (56.5 Vrms), pink/IEC
Sensitivity (1W/1m) ¹	98 dB SPL, ref 2.83V
Calculated Maximum Peak SPL	124 dB/1m
Nominal Impedance	8 ohms
Minimum Impedance	6.3 ohms @ 150 Hz
Hor. Coverage Angle (-6 dB)	120° averaged 2 kHz to 10 kHz
Vert. Coverage Angle (-6 dB)	60° averaged 2 kHz to 10 kHz
Directivity Factor (Q)	6.3 averaged 800 Hz to 10 kHz
Directivity Index (DI)	8.4 dB averaged 800 Hz to 10 kHz
Crossover Frequency	1.9 kHz
Polarity	EIA (positive voltage to red terminal gives forward cone motion)
Transducers	
Low Frequency	1 x MB12-8, 300 mm (12") diameter
High Frequency	1 x 2408H-1, 38 mm (1.5") voice coil

Physical	
Downward Firing Angle	Nominal 15° when mounted flush on wall
Enclosure Material	Birch mult-ply
Attachment	9 points: two top, one bottom, one each side, four back, M-10 threaded hardware
Finish	Black DuraFlex
Grill	powder coated, perforated steel
Grille Color	Black
Input Connectors	NL4 Neutric Speakon and barrier strip
Dimensions (H x W x D)	638.3 mm x 368.3 mm x 416.6 mm (26.9 in x 14.5 in x 16.4 in)
Net weight	17.5 kg (38.5 lbs)
Mounting Bracket Compatibility	JBL MTU-9320

¹Measured half-space sensitivity at 1W @ 1m from 200 Hz to 3 kHz.

JBL continually engages in research related to product improvement. Some materials, production methods and design refinements are introduced into existing products without notice as a routine expression of that philosophy. For this reason, any current JBL product may differ in some respect from its published description, but will always equal or exceed the original design specifications unless otherwise stated.

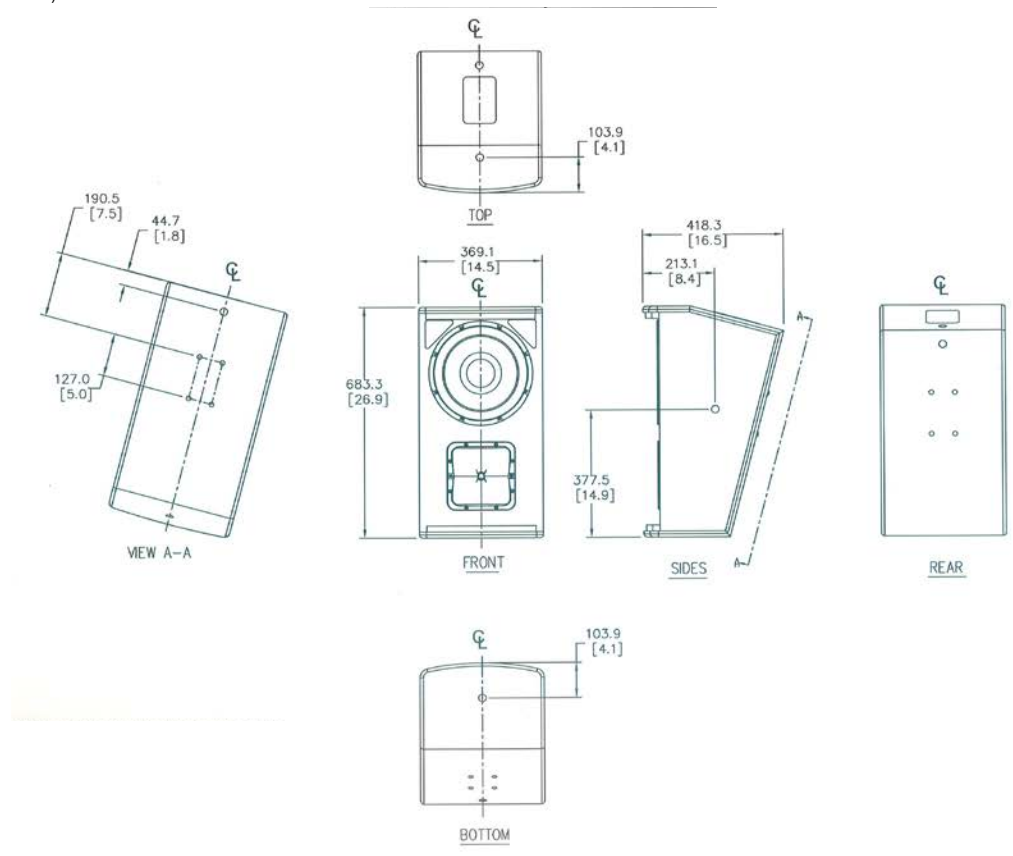
9320

Large Format High Power Cinema Surround Loudspeaker



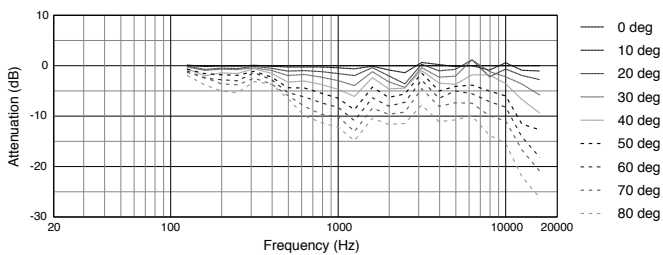
Dimensions:

Dimensions in mm (inches)

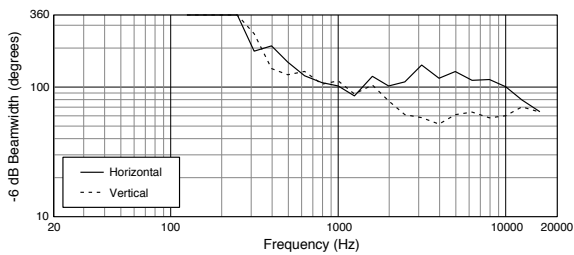


Graphs:

Horizontal Off-Axis Frequency Response



Beamwidth vs. Frequency



Vertical Off-Axis Frequency Response (down)

