

Key Features:

- ▶ FSA™ Forward Steered Array enclosure configuration for optimum acoustic performance in arrays of four or more modules
- ▶ Up to 15 dB of rear rejection at 200 Hz and 90° of beam steering capability in typical eight module array
- ▶ Usable LF reinforcement to 38 Hz
- ▶ 2226H 15" VGC (Vented Gap Cooled™) Transducers
- ▶ Available suspension truss components make array building simple and cost effective

The PD125 Precision Directivity™ loudspeaker is a high power low frequency module designed for use in arrays and in conjunction with other PD series systems to construct fullrange systems.

A key advantage of FSA systems is the ability to project a single well-defined energy “lobe” into the audience area. The combination of even response in the seating area and high off-axis attenuation substantially increases the quality of low-frequency reproduction by maximizing the ratio of direct-to-reverberant sound.

FSA arrays are based on end-fired line array principles. In an end-fired configuration, the length of the array determines its useful low-frequency directivity and the spacing of the elements determines the frequency at which beaming occurs. FSA technology improves upon the useful characteristics of the traditional end-fired system through a combination of physically expanding the line array into a three-dimensional array and controlling directivity via the use of digital signal processing. Multi-channel signal processing with amplitude and delay capability and multi-channel amplification is required for implementing FSA array steering. Contact JBL Professional for application details.

The PD125 employs the 2226H 15" transducer, one of JBL's family of Vented Gap Cooling woofers. Transducers are mounted “magnets-out” for maximum heat transfer, assuring long term reliability at high power levels. Each transducer is mounted in a separate vented sub-chamber.



For outdoor applications, several levels of weather resistance are available. Please contact your sales representative or JBL for further information.

Preliminary Specifications:

System:

Frequency Range (-10 dB):	38 Hz - 1.7 kHz
Frequency Response (±3 dB):	45 Hz - 900 Hz
Recommended High Pass:	45 Hz, 12 dB/Octave
Recommended Low Pass:	250 Hz, 48 dB/Octave
Input Power Rating: (100 hour test duration)	1200 W AES; 4800 W Peak; parallel wiring (2 x 600 W AES; 2x 2400 W Peak; independent wiring)
Sensitivity ¹ (50 Hz - 500 Hz):	100 dB SPL, 1W @ 1m (3.3 ft)
Calculated Max. SPL (50 Hz - 500 Hz):	131 dB Continuous, 137 dB Peak SPL @ 1m (3.3 ft)
Nominal Impedance:	4 Ohms (2 x 8 ohm)

Transducers:

Low Frequency:	2 x 2226H, 380 mm (15 in) dia., 100 mm (4 in) edgewound ribbon voice coil
----------------	---

Physical:

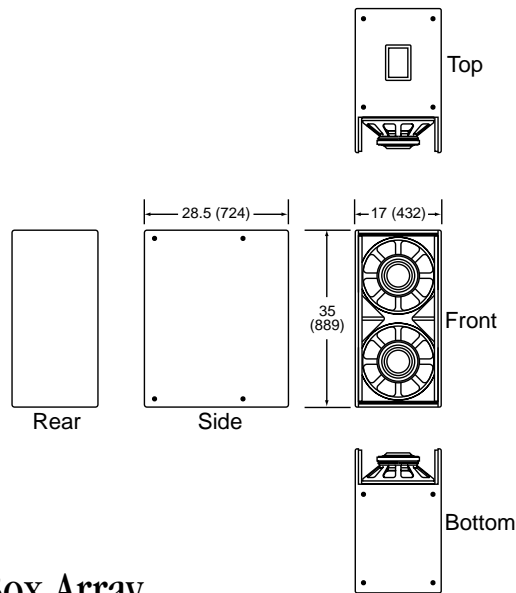
Enclosure:	Rectangular; birch plywood, extensively braced
Suspension Attachment:	16 points; 4 each top, bottom & sides; accept M10 threaded hardware
Finish:	Black DuraFlex coating (white or custom color optional)
Grille:	Black powder coated zinc treated 16 gauge perforated steel grille with foam backing (white or custom color optional)
Input Connector:	2 x NL4 Neutrik Speakon connector; each driver wired independently; parallel or separate wiring user selectable via internal jumper input on top of enclosure
Dimensions (H x W x D):	35 in x 17 in x 28.5 in 889 mm x 432 mm x 724 mm
Net Weight:	125.5 lb, 57 kg

¹ Sensitivity is based on a swept test signal with an input of 1 Watt at rated impedance, measured in half-space.

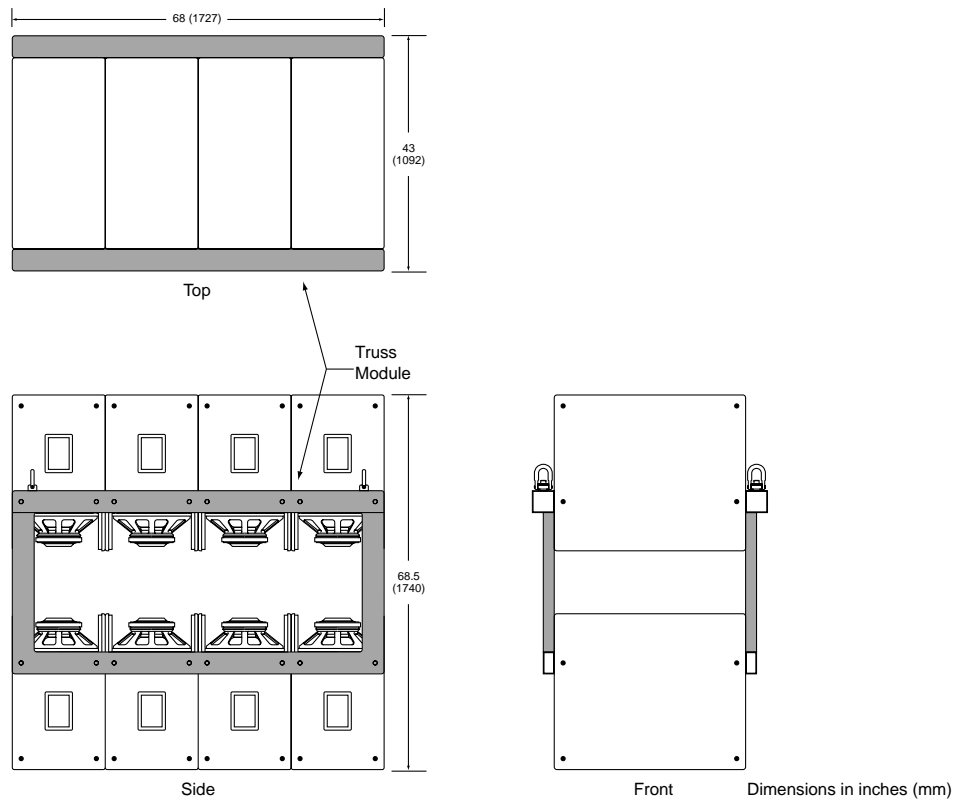
JBL continually engages in research related to product improvement. Some materials, production methods and design refinements are introduced into existing products without notice as a routine expression of that philosophy. For this reason, any current JBL product may differ in some respect from its published description, but will always equal or exceed the original design specifications unless otherwise stated.

▶ PD125 High Output Dual 15" Low Frequency Array Module

Dimensions



Typical Eight-Box Array



JBL Professional
 8500 Balboa Boulevard, P.O. Box 2200
 Northridge, California 91329 U.S.A.
 A Harman International Company
 © Copyright 2000 JBL Professional

SS PD125
 CRP 15M
 8/01