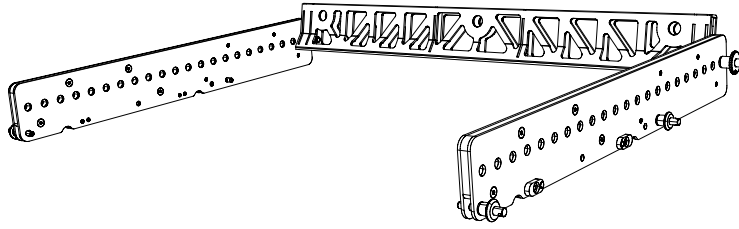


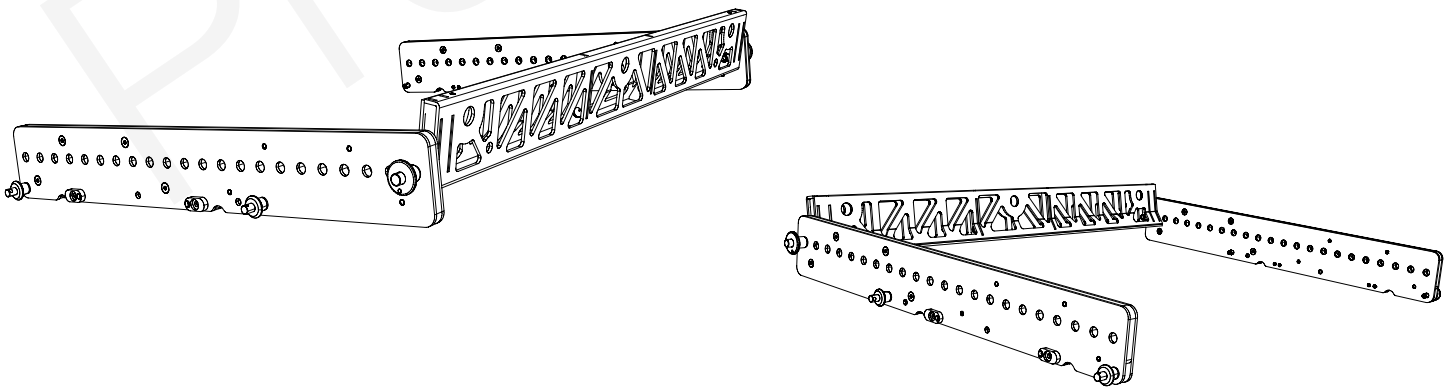
HIGHLIGHTS



- Compact and lightweight design
- Compatible with VTX A8 and VTX B18 enclosures
- Single-point and side-by-side pick-point options
- 0.5° pick-point resolution
- 3-part collapsible design
- Compatible shackle size: 1/2"

DESCRIPTION

The VTX A8 MF mini frame is a lightweight, compact and inexpensive array frame used for suspending smaller VTX A8 and VTX B18 arrays. The mini frame was designed to work primarily with single-point or side-by-side suspension methods. For single-point applications, the mini frame can be used in conjunction with the VTX RC500 rotating clamp, allowing smaller VTX A8/B18 arrays to be suspended from standard size trusses or pipes. The side-by-side suspension points are especially useful when suspending VTX A8/B18 arrays from telescopic boom lifts. The 3-piece design is comprised of two sidearms and one spreader bar. The sidearms connect to the cabinets, and the spreader bar can be pinned to one of the 22 positions on the sidearms, providing excellent tilt resolution. The 3 pieces can be collapsed and pinned together for storage.



INCLUDED

- 1 x VTX A8 MF Mini Frame
- 2 x 1/2" 2T Shackles